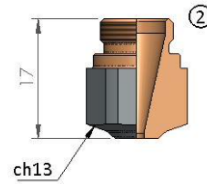
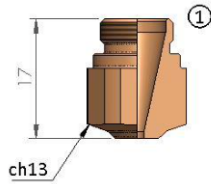
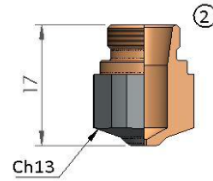
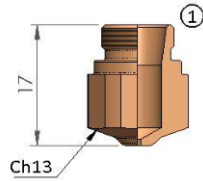


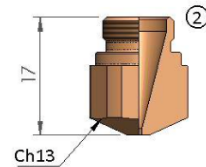
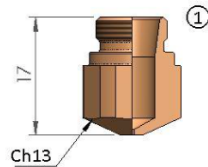
BYSTRONIC®				
POS	REFERENCE NUMBER	WALTH SKU	DESCRIPTION	PKG QTY
1	3-04277 - HK08	BY151001X	BYS-NOZZLE Ø 0.8 HD 10PK	10
	3-01910 - HK10	BY151002X	BYS-NOZZLE Ø 1.0 HD 10PK	10
	3-01911 - HK12	BY151003X	BYS-NOZZLE Ø 1.25 HD 10PK	10
	3-01912 - HK15	BY151004X	BYS-NOZZLE Ø 1.5 HD 10PK	10
	3-01913 - HK17	BY151005X	BYS-NOZZLE Ø 1.75 HD 10PK	10
2	3-04277 - HK08	BY151001CX	BYS-NOZZLE Ø 0.8 HD CP 10PK	10
	3-01910 - HK10	BY151002CX	BYS-NOZZLE Ø 1.0 HD CP 10PK	10
	3-01911 - HK12	BY151003CX	BYS-NOZZLE Ø 1.25 HD CP 10PK	10
	3-01912 - HK15	BY151004CX	BYS-NOZZLE Ø 1.5 HD CP 10PK	10
	3-01913 - HK17	BY151005CX	BYS-NOZZLE Ø 1.75 HD CP 10PK	10



BYSTRONIC®				
POS	REFERENCE NUMBER	WALTH SKU	DESCRIPTION	PKG QTY
1	3-01914 - HK20	BY151006X	BYS-NOZZLE Ø 2.0 HD 10PK	10
	3-03854 - HK25	BY151007X	BYS-NOZZLE Ø 2.5 HD 10PK	10
	3-06112 - HK30	BY151008X	BYS-NOZZLE Ø 3.0 HD 10PK	10
	HK35	BY151009X	BYS-NOZZLE Ø 3.5 HD 10PK	10
	HK40	BY151010X	BYS-NOZZLE Ø 4.0 HD 10PK	10
2	3-01914 - HK20	BY151006CX	BYS-NOZZLE Ø 2.0 HD CP 10PK	10
	3-03854 - HK25	BY151007CX	BYS-NOZZLE Ø 2.5 HD CP 10PK	10
	3-06112 - HK30	BY151008CX	BYS-NOZZLE Ø 3.0 HD CP 10PK	10
	HK35	BY151009CX	BYS-NOZZLE Ø 3.5 HD CP 10PK	10
	HK40	BY151010CX	BYS-NOZZLE Ø 4.0 HD CP 10PK	10

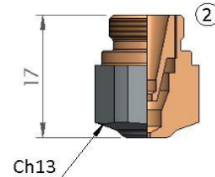
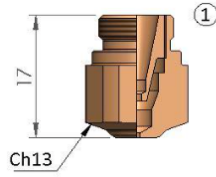


BYSTRONIC®				
POS	REFERENCE NUMBER	WALTH SKU	DESCRIPTION	PKG QTY
1	3-04273 - K08	BY151014X	BYS-NOZZLE Ø 0.8 10PK	10
	3-01905 - K10	BY151015X	BYS-NOZZLE Ø 1.0 10PK	10
	3-01906 - K12	BY151016X	BYS-NOZZLE Ø 1.25 10PK	10
	3-01907 - K15	BY151017X	BYS-NOZZLE Ø 1.5 10PK	10
	3-01908 - K17	BY151018X	BYS-NOZZLE Ø 1.75 10PK	10
	3-01909 - K20	BY151019X	BYS-NOZZLE Ø 2.0 10PK	10
	3-04274 - K25	BY151020X	BYS-NOZZLE Ø 2.5 10PK	10
	3-04275 - K30	BY151021X	BYS-NOZZLE Ø 3.0 10PK	10
2	3-04273 - K08	BY151014CX	BYS-NOZZLE Ø 0.8 CP 10PK	10
	3-01905 - K10	BY151015CX	BYS-NOZZLE Ø 1.0 CP 10PK	10
	3-01906 - K12	BY151016CX	BYS-NOZZLE Ø 1.25 CP 10PK	10
	3-01907 - K15	BY151017CX	BYS-NOZZLE Ø 1.5 CP 10PK	10
	3-01908 - K17	BY151018CX	BYS-NOZZLE Ø 1.75 CP 10PK	10
	3-01909 - K20	BY151019CX	BYS-NOZZLE Ø 2.0 CP 10PK	10
	3-04274 - K25	BY151020CX	BYS-NOZZLE Ø 2.5 CP 10PK	10
	3-04275 - K30	BY151021CX	BYS-NOZZLE Ø 3.0 CP 10PK	10

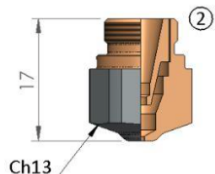
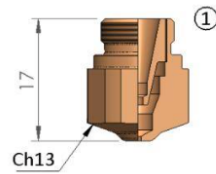


BYSTRONIC®				
POS	REFERENCE NUMBER	WALTH SKU	DESCRIPTION	PKG QTY
1	3-04273 - K08	BY151023X	BYS-NOZZLE Ø 0.8 10PK	10
	3-01905 - K10	BY151024X	BYS-NOZZLE Ø 1.0 10PK	10
	3-01906 - K12	BY151025X	BYS-NOZZLE Ø 1.25 10PK	10
	3-01907 - K15	BY151026X	BYS-NOZZLE Ø 1.5 10PK	10
	3-01908 - K17	BY151027X	BYS-NOZZLE Ø 1.75 10PK	10
	3-01909 - K20	BY151028X	BYS-NOZZLE Ø 2.0 10PK	10
2	3-01910 - HK10	BY151035X	BYS-NOZZLE Ø 1.0 10PK	10
	3-01911 - HK12	BY151036X	BYS-NOZZLE Ø 1.25 10PK	10
	3-01912 - HK15	BY151037X	BYS-NOZZLE Ø 1.5 10PK	10
	3-01913 - HK17	BY151038X	BYS-NOZZLE Ø 1.75 10PK	10
	3-01914 - HK20	BY151039X	BYS-NOZZLE Ø 2.0 10PK	10

Walth Corporation is not affiliated with the named manufacturers. Reference to machines, parts, descriptions, and model numbers are for convenience in verifying compatibility only. All parts are made by or for Walth Corporation and are not made by the reference manufacturers (unless expressly indicated). All other trademarks are the properties of their respective owners.

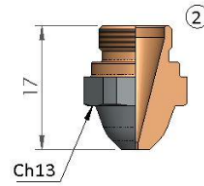
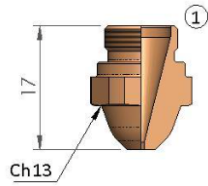


BYSTRONIC®				
POS	REFERENCE NUMBER	WALTH SKU	DESCRIPTION	PKG QTY
1	3-16058 - NK10-15	BY151040X	BYS-DOUBLE NOZZLE Ø 1.0 10PK	10
	3-16059 - NK12-15	BY151041X	BYS-DOUBLE NOZZLE Ø 1.25 10PK	10
	3-16060 - NK15-15	BY151042X	BYS-DOUBLE NOZZLE Ø 1.5 10PK	10
	3-14317 - NK17-15	BY151043X	BYS-DOUBLE NOZZLE Ø 1.75 10PK	10
	3-14318 - NK20-15	BY151044X	BYS-DOUBLE NOZZLE Ø 2.0 10PK	10
	3-14319 - NK25-15	BY151045X	BYS-DOUBLE NOZZLE Ø 2.5 10PK	10
	3-16256 - NK25-20	BY151046X	BYS-DOUBLE NOZZLE Ø 2.5 10PK	10
	3-16061 - NK30-17	BY151047X	BYS-DOUBLE NOZZLE Ø 3.0 10PK	10
	3-16257 - NK30-20	BY151048X	BYS-DOUBLE NOZZLE Ø 3.0 10PK	10
	NK35-30	BY151049X	BYS-DOUBLE NOZZLE Ø 3.5 10PK	10
2	3-16058 - NK10-15	BY151040CX	BYS-DOUBLE NOZZLE Ø 1.0 CP 10PK	10
	3-16059 - NK12-15	BY151041CX	BYS-DOUBLE NOZZLE Ø 1.25 CP 10PK	10
	3-16060 - NK15-15	BY151042CX	BYS-DOUBLE NOZZLE Ø 1.5 CP 10PK	10
	3-14317 - NK17-15	BY151043CX	BYS-DOUBLE NOZZLE Ø 1.75 CP 10PK	10
	3-14318 - NK20-15	BY151044CX	BYS-DOUBLE NOZZLE Ø 2.0 CP 10PK	10
	3-14319 - NK25-15	BY151045CX	BYS-DOUBLE NOZZLE Ø 2.5 CP 10PK	10
	3-16256 - NK25-20	BY151046CX	BYS-DOUBLE NOZZLE Ø 2.5 CP 10PK	10
	3-16061 - NK30-17	BY151047CX	BYS-DOUBLE NOZZLE Ø 3.0 CP 10PK	10
	3-16257 - NK30-20	BY151048CX	BYS-DOUBLE NOZZLE Ø 3.0 CP 10PK	10
	NK35-30	BY151049CX	BYS-DOUBLE NOZZLE Ø 3.5 CP 10PK	10

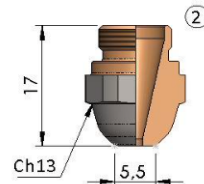
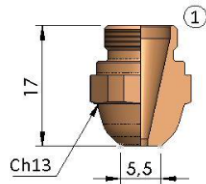


BYSTRONIC®				
POS	REFERENCE NUMBER	WALTH SKU	DESCRIPTION	PKG QTY
1	3-16058 - NK10-15	BY151030X	BYS-DOUBLE NOZZLE Ø 1.0 10PK	10
	3-16059 - NK12-15	BY151031X	BYS-DOUBLE NOZZLE Ø 1.25 10PK	10
	3-16060 - NK15-15	BY151032X	BYS-DOUBLE NOZZLE Ø 1.5 10PK	10
	3-14317 - NK17-15	BY151033X	BYS-DOUBLE NOZZLE Ø 1.75 10PK	10
2	3-16058 - NK10-15	BY151030CX	BYS-DOUBLE NOZZLE Ø 1.0 CP 10PK	10
	3-16059 - NK12-15	BY151031CX	BYS-DOUBLE NOZZLE Ø 1.25 CP 10PK	10
	3-16060 - NK15-15	BY151032CX	BYS-DOUBLE NOZZLE Ø 1.5 CP 10PK	10
	3-14317 - NK17-15	BY151033CX	BYS-DOUBLE NOZZLE Ø 1.75 CP 10PK	10

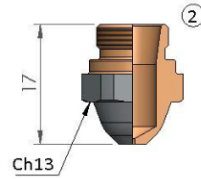
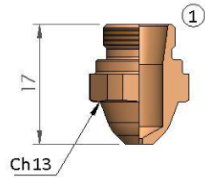
Walth Corporation is not affiliated with the named manufacturers. Reference to machines, parts, descriptions, and model numbers are for convenience in verifying compatibility only. All parts are made by or for Walth Corporation and are not made by the reference manufactures (unless expressly indicated). All other trademarks are the properties of their respective owners.



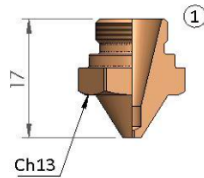
BYSTRONIC®				
POS	REFERENCE NUMBER	WALTH SKU	DESCRIPTION	PKG QTY
1	3-04275 - H08	BY151055X	BYS-NOZZLE Ø 0.8 HD 10PK	10
	3-01899 - H10	BY151056X	BYS-NOZZLE Ø 1.0 HD 10PK	10
	3-01900 - H12	BY151057X	BYS-NOZZLE Ø 1.25 HD 10PK	10
	3-01901 - H15	BY151058X	BYS-NOZZLE Ø 1.5 HD 10PK	10
	3-01902 - H17	BY151059X	BYS-NOZZLE Ø 1.75 HD 10PK	10
	3-01903 - H20	BY151060X	BYS-NOZZLE Ø 2.0 HD 10PK	10
	3-04276 - H25	BY151061X	BYS-NOZZLE Ø 2.5 HD 10PK	10
	H30	BY151062X	BYS-NOZZLE Ø 3.0 HD 10PK	10
2	3-04275 - H08	BY151055CX	BYS-NOZZLE Ø 0.8 HD CP 10PK	10
	3-01899 - H10	BY151056CX	BYS-NOZZLE Ø 1.0 HD CP 10PK	10
	3-01900 - H12	BY151057CX	BYS-NOZZLE Ø 1.25 HD CP 10PK	10
	3-01901 - H15	BY151058CX	BYS-NOZZLE Ø 1.5 HD CP 10PK	10
	3-01902 - H17	BY151059CX	BYS-NOZZLE Ø 1.75 HD CP 10PK	10
	3-01903 - H20	BY151060CX	BYS-NOZZLE Ø 2.0 HD CP 10PK	10
	3-04276 - H25	BY151061CX	BYS-NOZZLE Ø 2.5 HD CP 10PK	10
	H30	BY151062CX	BYS-NOZZLE Ø 3.0 HD CP 10PK	10



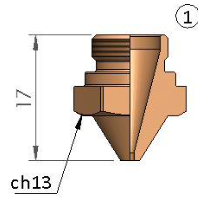
BYSTRONIC®				
POS	REFERENCE NUMBER	WALTH SKU	DESCRIPTION	PKG QTY
1		BY151052X	BYS-NOZZLE Ø 2.0 HD 10PK	10
		BY151053X	BYS-NOZZLE Ø 2.5 HD 10PK	10
		BY151054X	BYS-NOZZLE Ø 3.0 HD 10PK	10
2		BY151052CX	BYS-NOZZLE Ø 2.0 HD CP 10PK	10
		BY151053CX	BYS-NOZZLE Ø 2.5 HD CP 10PK	10
		BY151054CX	BYS-NOZZLE Ø 3.0 HD CP 10PK	10



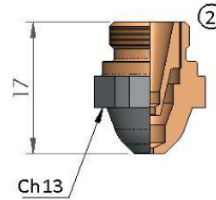
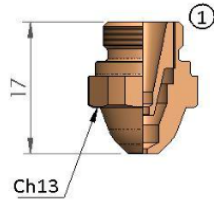
BYSTRONIC®				
POS	REFERENCE NUMBER	WALTH SKU	DESCRIPTION	PKG QTY
1	3-04271 08	BY151065X	BYS-NOZZLE Ø 0.8 10PK	10
	3-01894 10	BY151066X	BYS-NOZZLE Ø 1.0 10PK	10
	3-01895 12	BY151067X	BYS-NOZZLE Ø 1.25 10PK	10
	3-01896 15	BY151068X	BYS-NOZZLE Ø 1.5 10PK	10
	3-01897 17	BY151069X	BYS-NOZZLE Ø 1.75 10PK	10
	3-01898 20	BY151070X	BYS-NOZZLE Ø 2.0 10PK	10
	3-04272 25	BY151071X	BYS-NOZZLE Ø 2.5 10PK	10
2	3-04271 08	BY151065CX	BYS-NOZZLE Ø 0.8 CP 10PK	10
	3-01894 10	BY151066CX	BYS-NOZZLE Ø 1.0 CP 10PK	10
	3-01895 12	BY151067CX	BYS-NOZZLE Ø 1.25 CP 10PK	10
	3-01896 15	BY151068CX	BYS-NOZZLE Ø 1.5 CP 10PK	10
	3-01897 17	BY151069CX	BYS-NOZZLE Ø 1.75 CP 10PK	10
	3-01898 20	BY151070CX	BYS-NOZZLE Ø 2.0 CP 10PK	10
	3-04272 25	BY151071CX	BYS-NOZZLE Ø 2.5 CP 10PK	10



BYSTRONIC®				
POS	REFERENCE NUMBER	WALTH SKU	DESCRIPTION	PKG QTY
1	3-04271 08	BY151085X	BYS-NOZZLE Ø 0.8 10PK	10
	3-01894 10	BY151086X	BYS-NOZZLE Ø 1.0 10PK	10
	3-01895 12	BY151087X	BYS-NOZZLE Ø 1.25 10PK	10
	3-01896 15	BY151088X	BYS-NOZZLE Ø 1.5 10PK	10
	3-01897 17	BY151089X	BYS-NOZZLE Ø 1.75 10PK	10
	3-01898 20	BY151090X	BYS-NOZZLE Ø 2.0 10PK	10

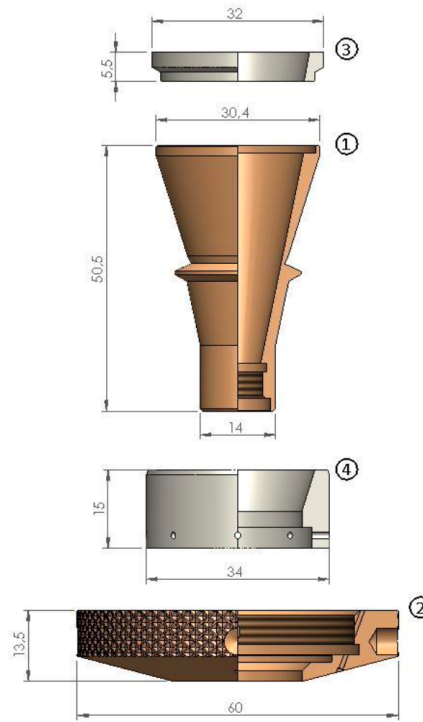


BYSTRONIC®				
POS	REFERENCE NUMBER	WALTH SKU	DESCRIPTION	PKG QTY
1	3-01899 - H10	BY151092X	BYS-NOZZLE Ø 1.0 HD 10PK	10
	3-01900 - H12	BY151093X	BYS-NOZZLE Ø 1.25 HD 10PK	10
	3-01901 - H15	BY151094X	BYS-NOZZLE Ø 1.5 HD 10PK	10
	3-01902 - H17	BY151095X	BYS-NOZZLE Ø 1.75 HD 10PK	10
	3-01903 - H20	BY151096X	BYS-NOZZLE Ø 2.0 HD 10PK	10



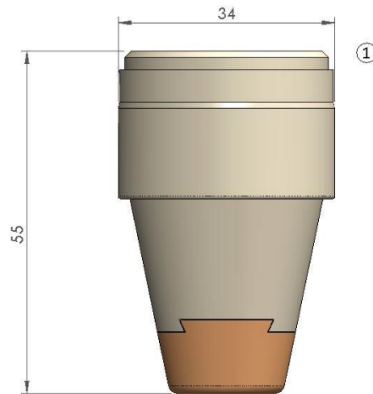
BYSTRONIC®				
POS	REFERENCE NUMBER	WALTH SKU	DESCRIPTION	PKG QTY
1	N10-15	BY151075X	BYS-DOUBLE NOZZLE Ø 1.0 10PK	10
	N12-15	BY151076X	BYS-DOUBLE NOZZLE Ø 1.25 10PK	10
	N15-15	BY151077X	BYS-DOUBLE NOZZLE Ø 1.5 10PK	10
	N17-15	BY151078X	BYS-DOUBLE NOZZLE Ø 1.75 10PK	10
	N20-15	BY151079X	BYS-DOUBLE NOZZLE Ø 2.0 10PK	10
	N25-15	BY151080X	BYS-DOUBLE NOZZLE Ø 2.5 10PK	10
	N25-20	BY151081X	BYS-DOUBLE NOZZLE Ø 2.5 10PK	10
	N30-17	BY151082X	BYS-DOUBLE NOZZLE Ø 3.0 10PK	10
2	N30-20	BY151083X	BYS-DOUBLE NOZZLE Ø 3.0 10PK	10
	N10-15	BY151075CX	BYS-DOUBLE NOZZLE Ø 1.0 CP 10PK	10
	N12-15	BY151076CX	BYS-DOUBLE NOZZLE Ø 1.25 CP 10PK	10
	N15-15	BY151077CX	BYS-DOUBLE NOZZLE Ø 1.5 CP 10PK	10
	N17-15	BY151078CX	BYS-DOUBLE NOZZLE Ø 1.75 CP 10PK	10
	N20-15	BY151079CX	BYS-DOUBLE NOZZLE Ø 2.0 CP 10PK	10
	N25-15	BY151080CX	BYS-DOUBLE NOZZLE Ø 2.5 CP 10PK	10
	N25-20	BY151081CX	BYS-DOUBLE NOZZLE Ø 2.5 CP 10PK	10
N30-17	BY151082CX	BYS-DOUBLE NOZZLE Ø 3.0 CP 10PK	10	
N30-20	BY151083CX	BYS-DOUBLE NOZZLE Ø 3.0 CP 10PK	10	

Walth Corporation is not affiliated with the named manufacturers. Reference to machines, parts, descriptions, and model numbers are for convenience in verifying compatibility only. All parts are made by or for Walth Corporation and are not made by the reference manufacturers (unless expressly indicated). All other trademarks are the properties of their respective owners.



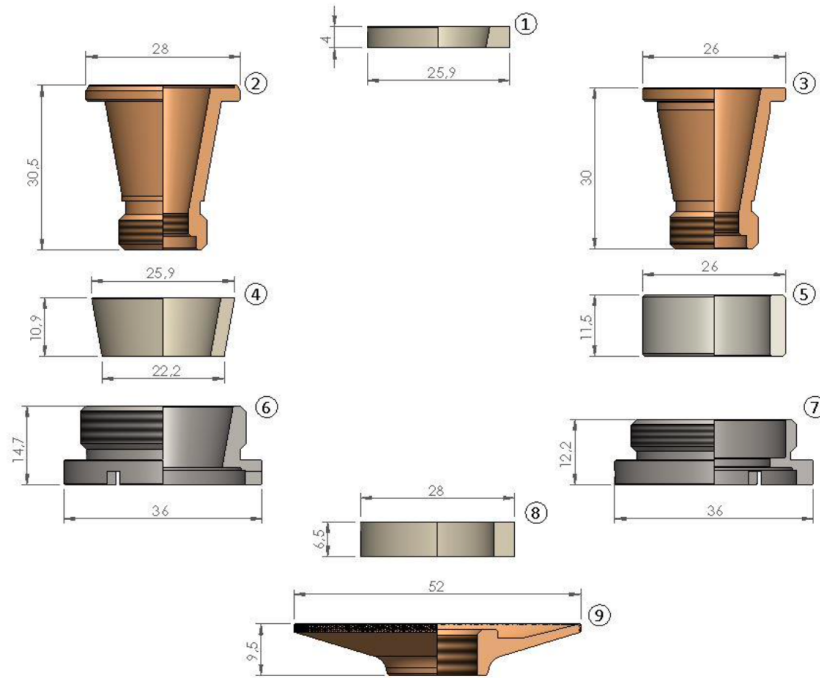
BYSTRONIC®

POS	REFERENCE NUMBER	WALTH SKU	DESCRIPTION	PKG QTY
1	2-10837	BY 159020	BYS-NOZZLE BODY	1
2	3-13110	BY 159025	BYS-COPPER SHIELD	1
3	3-13113	BY 159022	BYS-INSULATING RING	1
4	3-13422	BY 159024	BYS-INSULATING RING W/HOLES	1

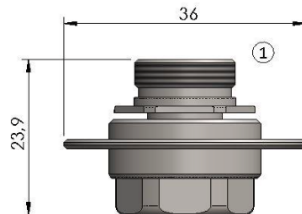


BYSTRONIC®

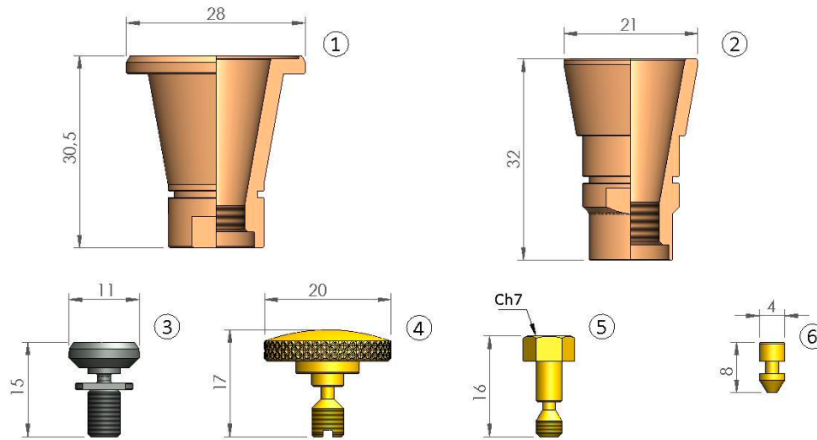
POS	REFERENCE NUMBER	WALTH SKU	DESCRIPTION	PKG QTY
1	10011659	BY 159052	BYS-CERAMIC NOZZLE BODY	1



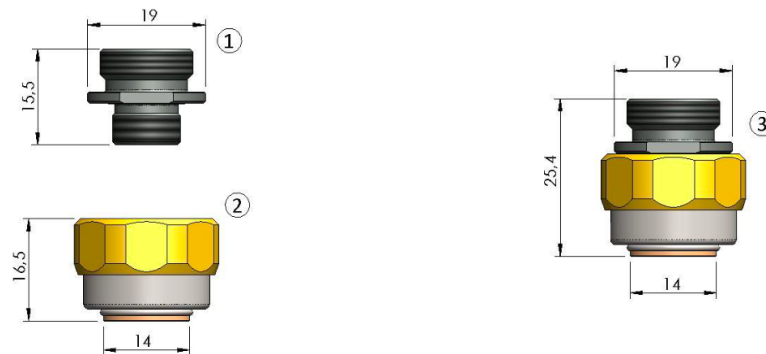
BYSTRONIC®				
POS	REFERENCE NUMBER	WALTH SKU	DESCRIPTION	PKG QTY
1	4-01642	BY159004	BYS-CERAMIC INSULATING DISC	1
	4-01642	BY159005	BYS-CERAMIC INSULATING DISC NEW VER	1
2	2-08701	BY159001	BYS-NOZZLE BODY	1
3	10032930	BY159002	BYS-NOZZLE BODY	1
4	4-01959	BY159006	BYS-CERAMIC CONE	1
	4-01959	BY159007	BYS-CERAMIC CONE - NEW VER	1
5	10032838	BY159010	BYS-CERAMIC INSULATING RING	1
6	3-11071	BY159013	BYS-FASTENING NUT	1
7	10032839	BY159014	BYS-FASTENING NUT	1
8	4-09010	BY159008	BYS-CERAMIC INSULATING RING	1
9	2-08700	BY159017	BYS-SIGNBOARD	1



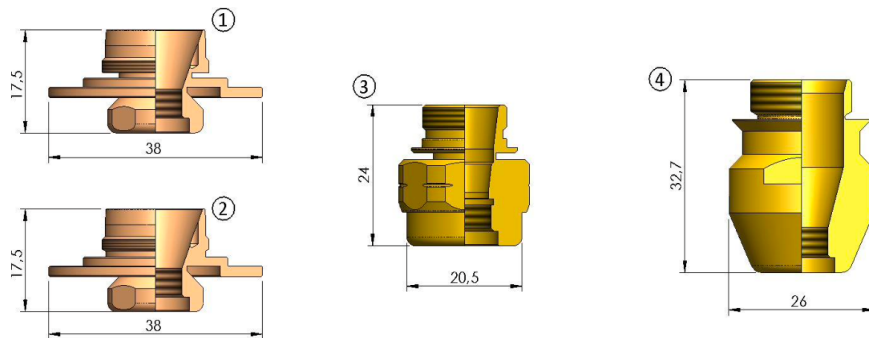
BYSTRONIC®				
POS	REFERENCE NUMBER	WALTH SKU	DESCRIPTION	PKG QTY
1		BY159043	BYS-NOZZLE BODY	1



BYSTRONIC®				
POS	REFERENCE NUMBER	WALTH SKU	DESCRIPTION	PKG QTY
1	3-05497	BY 159003	BYS-NOZZLE BODY	1
2	3-02291	BY 159009	BYS-NOZZLE BODY	1
3	3-09001	BY 159029	BYS-SCREW F/CROSS-JET	1
4	4-03136	BY 159028	BYS-KNURLED SCREW - BRASS	1
5	4-00324	BY 159027	BYS-KNURLED SCREW	1
6	4-03137	BY 159030	BYS-PIN	1

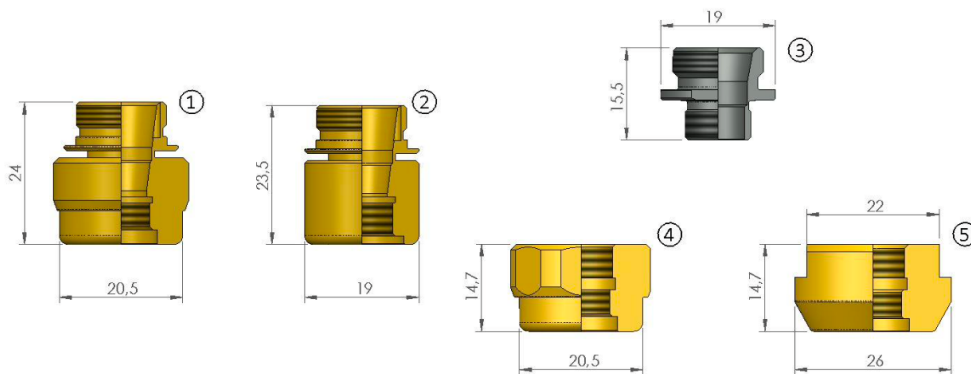


BYSTRONIC®				
POS	REFERENCE NUMBER	WALTH SKU	DESCRIPTION	PKG QTY
1	10075057	BY 159041	BYS-COUPLING	1
2	10074594	BY 159042	BYS-PUSH FIT NOZZLE HOLDER	1
3	10083262	BY 159044	BYS-PUSH FIT NOZZLE HOLDER SET	1



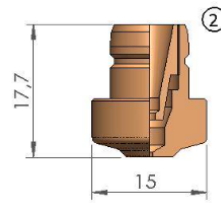
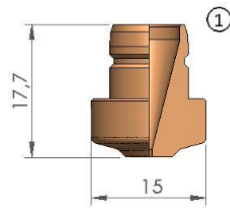
BYSTRONIC®

POS	REFERENCE NUMBER	WALTH SKU	DESCRIPTION	PKG QTY
1	10051133	BY159035	BYS-ADAPTER MSB	1
2	10051133	BY159034	BYS-ADAPTER MSB	1
3	10064099	BY159036	BYS-NOZZLE BODY	1
4	10034061	BY159033	BYS-NOZZLE HOLDER	1



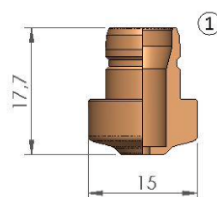
BYSTRONIC®

POS	REFERENCE NUMBER	WALTH SKU	DESCRIPTION	PKG QTY
1		BY159037	BYS-NOZZLE BODY	1
2		BY159038	BYS-NOZZLE BODY	1
3	10075057	BY159041	BYS-COUPLING	1
4	10071494	BY159040	BYS-NOZZLE BODY	1
5	10083331	BY159039	BYS-NOZZLE BODY	1



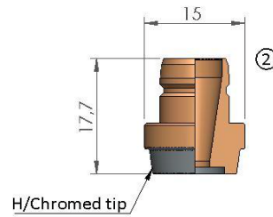
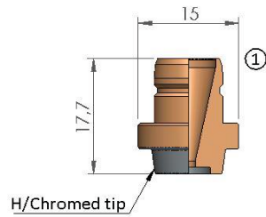
BYSTRONIC®

POS	REFERENCE NUMBER	WALTH SKU	DESCRIPTION	PKG QTY
1	10048529 - HK08 C	BY152001X	BYS-NOZZLE Ø 0.8 10PK	10
	10035266 - HK10 C	BY152002X	BYS-NOZZLE Ø 1.0 10PK	10
	10035267 - HK12 C	BY152003X	BYS-NOZZLE Ø 1.2 10PK	10
	10035268 - HK15 C	BY152004X	BYS-NOZZLE Ø 1.5 10PK	10
	10035269 - HK17 C	BY152005X	BYS-NOZZLE Ø 1.75 10PK	10
	10035270 - HK20 C	BY152006X	BYS-NOZZLE Ø 2.0 10PK	10
	10035271 - HK25 C	BY152007X	BYS-NOZZLE Ø 2.5 10PK	10
	10035272 - HK30 C	BY152008X	BYS-NOZZLE Ø 3.0 10PK	10
	10049744 - HK35 C	BY152009X	BYS-NOZZLE Ø 3.5 10PK	10
2	10049747 - NK1015 C	BY152015X	BYS-DOUBLE NOZZLE Ø 1.0 10PK	10
	10035275 - NK1215 C	BY152016X	BYS-DOUBLE NOZZLE Ø 1.2 10PK	10
	10035278 - NK1515 C	BY152017X	BYS-DOUBLE NOZZLE Ø 1.5 10PK	10
	10035290 - NK1715 C	BY152018X	BYS-DOUBLE NOZZLE Ø 1.75 10PK	10
	10035292 - NK2015 C	BY152019X	BYS-DOUBLE NOZZLE Ø 2.0 10PK	10
	10035294 - NK2515 C	BY152020X	BYS-DOUBLE NOZZLE Ø 2.5 10PK	10
	10035296 - NK2520 C	BY152021X	BYS-DOUBLE NOZZLE Ø 2.5 10PK	10
	10035298 - NK3017 C	BY152022X	BYS-DOUBLE NOZZLE Ø 3.0 10PK	10
	10035301 - NK3020 C	BY152023X	BYS-DOUBLE NOZZLE Ø 3.0 10PK	10
	10035303 - NK3530 C	BY152024X	BYS-DOUBLE NOZZLE Ø 3.5 10PK	10
	10068496 - NK3517 C	BY152025X	BYS-DOUBLE NOZZLE Ø 3.5 10PK	10
	10068496 - NK4017 C	BY152026X	BYS-DOUBLE NOZZLE Ø 4.0 10PK	10

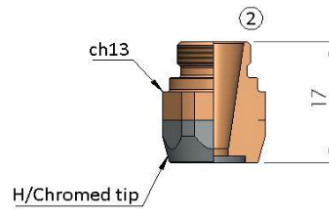
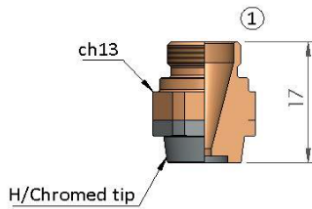


BYSTRONIC®

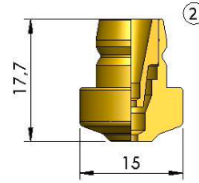
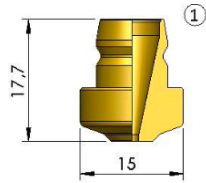
POS	REFERENCE NUMBER	WALTH SKU	DESCRIPTION	PKG QTY
1	10039202	BY152030X	BYS-NOZZLE Ø 2.0 10PK	10



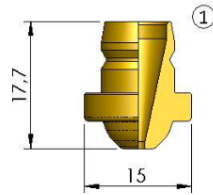
BYSTRONIC®				
POS	REFERENCE NUMBER	WALTH SKU	DESCRIPTION	PKG QTY
1	10084700 - F20 C	BY152032CKX	BYS-NOZZLE F20 DW Ø 2.0 CP 10PK	10
	10084701 - F25 C	BY152033CKX	BYS-NOZZLE F25 DW Ø 2.5 CP 10PK	10
	10066333 - F30 C	BY152034CKX	BYS-NOZZLE F30 DW Ø 3.0 CP 10PK	10
	10066332 35H - 10090091 F35 C	BY152035CKX	BYS-NOZZLE F35 DW Ø 3.5 CP 10PK	10
2	10066331 - F40 C	BY152037CKX	BYS-NOZZLE F40 DW Ø 4.0 CP 10PK	10
	10066330 - F45 C	BY152038CKX	BYS-NOZZLE F45 DW Ø 4.5 CP 10PK	10
	10068494 50H - 10090092 - F50 C	BY152036CKX	BYS-NOZZLE F50 DW Ø 5.0 CP 10PK	10
	10086053 - F55 C	BY152039CKX	BYS-NOZZLE F55 DW Ø 5.5 CP 10PK	10
	10086069 - F60 C	BY152040CKX	BYS-NOZZLE F60 DW Ø 6.0 CP 10PK	10



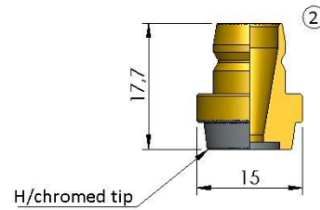
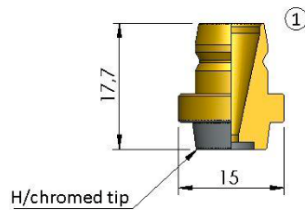
BYSTRONIC®				
POS	REFERENCE NUMBER	WALTH SKU	DESCRIPTION	PKG QTY
1	10089806 - F20 S	BY153001CKX	BYS-NOZZLE F20 Ø 2.0 CP 10PK	10
	10089805 - F25 S	BY153002CKX	BYS-NOZZLE F25 Ø 2.5 CP 10PK	10
	10089803 - F30 S	BY153003CKX	BYS-NOZZLE F30 Ø 3.0 CP 10PK	10
	10090089 - F35 S	BY153004CKX	BYS-NOZZLE F35 Ø 3.5 CP 10PK	10
2	10089802 - F40 S	BY153005CKX	BYS-NOZZLE F40 Ø 4.0 CP 10PK	10
	10089800 - F45 S	BY153006CKX	BYS-NOZZLE F45 Ø 4.5 CP 10PK	10
	10090090 - F50 S	BY153007CKX	BYS-NOZZLE F50 Ø 5.0 CP 10PK	10
	10089799 - F55 S	BY153008CKX	BYS-NOZZLE F55 Ø 5.5 CP 10PK	10
	10089798 - F60 S	BY153009CKX	BYS-NOZZLE F60 Ø 6.0 CP 10PK	10



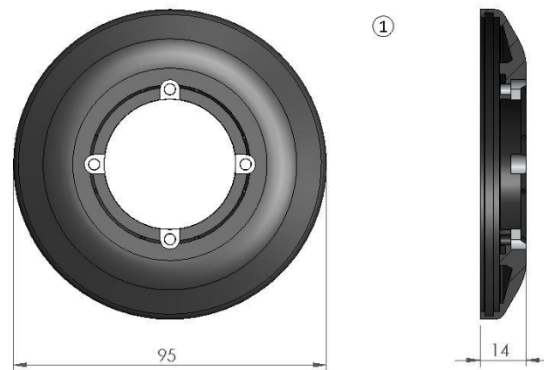
BYSTRONIC®				
POS	REFERENCE NUMBER	WALTH SKU	DESCRIPTION	PKG QTY
1	10097507 - HK10 P	BY154002X	BYS-NOZZLE Ø 1.0 10PK	10
	10097508 - HK12 P	BY154003X	BYS-NOZZLE Ø 1.2 10PK	10
	10097509 - HK15 P	BY154004X	BYS-NOZZLE Ø 1.5 10PK	10
	10097510 - HK17 P	BY154005X	BYS-NOZZLE Ø 1.7 10PK	10
	10097511 - HK20 P	BY154006X	BYS-NOZZLE Ø 2.0 10PK	10
	10097512 - HK25 P	BY154007X	BYS-NOZZLE Ø 2.5 10PK	10
	10097513 - HK30 P	BY154008X	BYS-NOZZLE Ø 3.0 10PK	10
	10097514 - HK35 P	BY154009X	BYS-NOZZLE Ø 3.5 10PK	10
	10097525 - NK1015 P	BY154015X	BYS-DBL NOZZLE PRECISION Ø 1.0 10PK	10
2	10097528 - NK1215 P	BY154016X	BYS-DBL NOZZLE PRCSN Ø 1.25 10PK	10
	10097531 - NK1515 P	BY154017X	BYS-DBL NOZZLE PRECISION Ø 1.5 10PK	10
	10097533 - NK1715 P	BY154018X	BYS-DBL NOZZLE PRECISION Ø 1.7 10PK	10
	10119813 - NK1717 P	BY154019X	BYS-DBL NOZZLE PRECISION Ø 1.7 10PK	10
	10097534 - NK2015 P	BY154020X	BYS-DBL NOZZLE PRECISION Ø 2.0 10PK	10
	10097537 - NK2515 P	BY154021X	BYS-DBL NOZZLE PRECISION Ø 2.5 10PK	10
	10097543 - NK3017 P	BY154022X	BYS-DBL NOZZLE PRECISION Ø 3.0 10PK	10
	10097549 - NK2520 P	BY154023X	BYS-DBL NOZZLE PRECISION Ø 2.5 10PK	10
	10097551 - NK3020 P	BY154024X	BYS-DBL NOZZLE PRECISION Ø 3.0 10PK	10
	10097552 - NK3530 P	BY154025X	BYS-DBL NOZZLE PRECISION Ø 3.5 10PK	10
10097553 - NK3517 P	BY154026X	BYS-DBL NOZZLE PRECISION Ø 3.5 10PK	10	
10097554 - NK4017 P	BY154027X	BYS-DBL NOZZLE PRECISION Ø 4.0 10PK	10	



BYSTRONIC®				
POS	REFERENCE NUMBER	WALTH SKU	DESCRIPTION	PKG QTY
1	10117151 - H15 P	BY154032X	BYS-NOZZLE Ø 1.5 10PK	10
	10117153 - H17 P	BY154033X	BYS-NOZZLE Ø 1.7 10PK	10
	10097541 - H20 P	BY154034X	BYS-NOZZLE Ø 2.0 10PK	10
	10097542 - H25 P	BY154035X	BYS-NOZZLE Ø 2.5 10PK	10
	10117154 - H30 P	BY154036X	BYS-NOZZLE Ø 3.0 10PK	10
	10117152 - H35 P	BY154037X	BYS-NOZZLE Ø 3.5 10PK	10

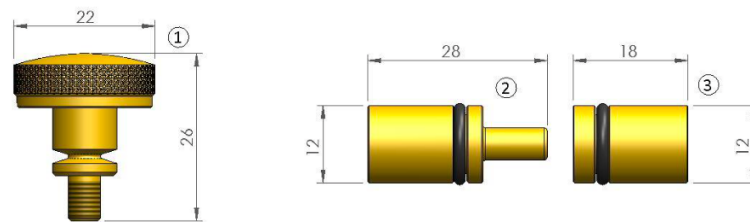


BYSTRONIC®				
POS	REFERENCE NUMBER	WALTH SKU	DESCRIPTION	PKG QTY
1	10118050 - F20 P	BY154043CKX	BYS-NOZZLE F20 DW Ø 2.0 CP 10PK	10
	10118051 - F25 P	BY154044CKX	BYS-NOZZLE F25 DW Ø 2.5 CP 10PK	10
	10118057 - F30 P	BY154045CKX	BYS-NOZZLE F30 DW Ø 3.0 CP 10PK	10
	10118052 - F35 P	BY154046CKX	BYS-NOZZLE F35 DW Ø 3.5 CP 10PK	10
2	10118053 - F40 P	BY154047CKX	BYS-NOZZLE F40 DW Ø 4.0 CP 10PK	10
	10118058 - F45 P	BY154048CKX	BYS-NOZZLE F45 DW Ø 4.5 CP 10PK	10
	10118055 - F50 P	BY154049CKX	BYS-NOZZLE F50 DW Ø 5.0 CP 10PK	10
	10118054 - F55 P	BY154050CKX	BYS-NOZZLE F55 DW Ø 5.5 CP 10PK	10
	10118056 - F60 P	BY154051CKX	BYS-NOZZLE F60 DW Ø 6.0 CP 10PK	10



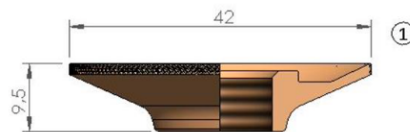
BYSTRONIC®

POS	REFERENCE NUMBER	WALTH SKU	DESCRIPTION	PKG QTY
1	2-03243	BY159050	BYS-FRONT PLATE	1



BYSTRONIC®

POS	REFERENCE NUMBER	WALTH SKU	DESCRIPTION	PKG QTY
1	4-04976	BY159031	BYS-KNURLED SCREW	1
2	7023207	BY159045	BYS-MALE WATER CONNECTOR	1
3	7023208	BY159046	BYS-FEMALE WATER CONNECTOR	1
2+3	7023208 - 7023207	BY159047	BYS-WATER CONNECTOR MALE+FEMALE	1



CY®

POS	REFERENCE NUMBER	WALTH SKU	DESCRIPTION	PKG QTY
1		CY159018	CY-CL SIGNBOARD	1